

Skycove

Unit Features: Skycove	1
Minimum and Maximum Guidelines and Certified Sizes	3
Standard Size Measurements	4
Measurement Conversions	5
Seat board and Cushion Measurements	6
Section Details: Section View	7
Section Details: Front Elevation View	8
Section Details: Plan View	9
Section Details: Section View (Triple-Pane)	10
Section Details: Front Elevation View (Triple-Pane)	11
Section Details: Plan View (Triple-Pane)	12

Unit Features: Skycove

Skycove: SC P

Frame:

- The Skycove unit is assembled on top of an integral welded steel infrastructure
- High-Density Fiberglass frame profiles
- Aluminum cover profiles
- Color Options
 - Interior options: Ebony, Stone White
 - Exterior options: Ebony, Bronze, Gunmetal, Stone White
- Marvin-provided insulation, base insulation, trim, and fasteners
- Factory Finished Seat Board option
 - Max seat board depth is 32"
 - Pine default. Optional Mixed Grain Douglas Fir (MGDF) and Red Oak
 - Finishes
 - White and Designer painted interior finished available in Pine only
 - Clear and stained finishes available on seat boards (all species)
- Screens and Combinations not available.

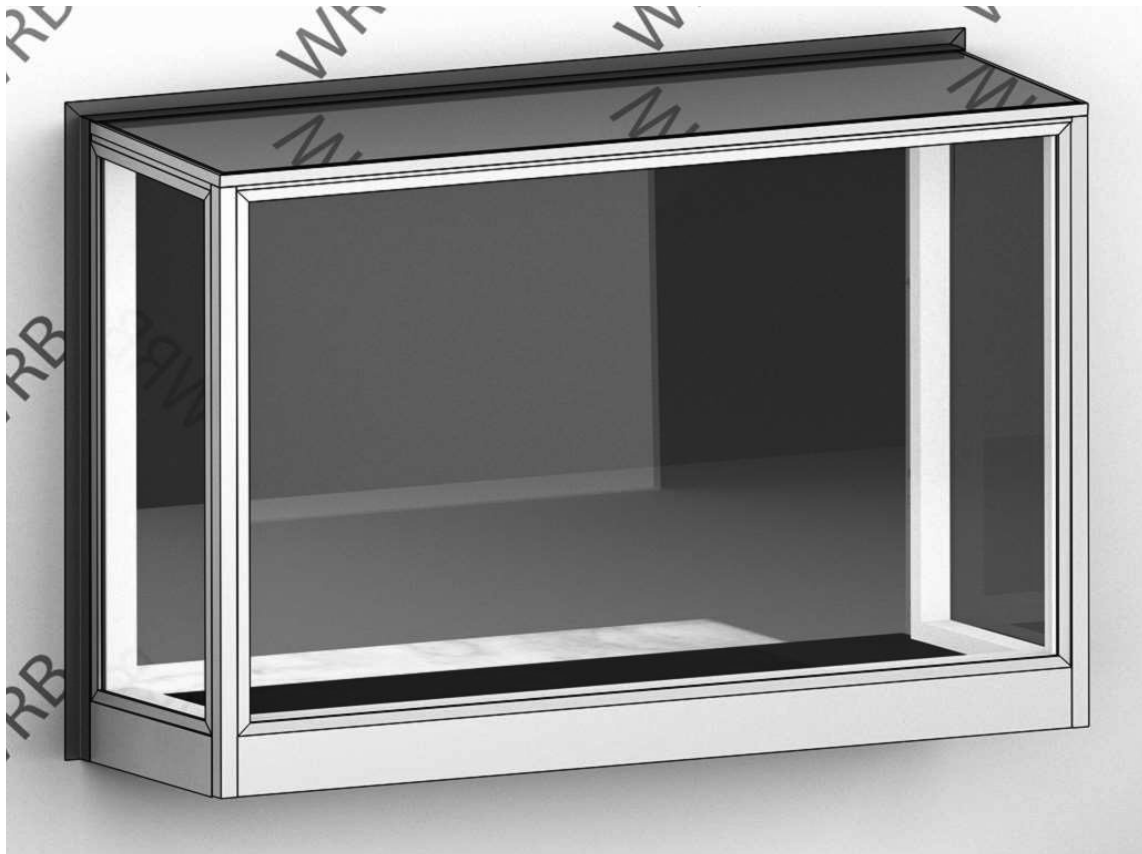
Glass and Glazing:

- Horizontal glass (on top)
 - Top angle 4 degrees.
 - Low E3
 - Dual-pane, tempered, exterior, laminated interior
 - Surface 1 Laminated Glass
 - 7/8" IG thickness
- Vertical
 - Low E2, Low E3
 - Dual-pane, tempered
 - Triple-pane option on CN7870 only
 - Top glass remains dual-pane-tempered exterior, laminated interior
- Glazing seal: Black silicone beading, exterior
- Black Stainless-Steel Spacer Bar
- Dual-pane insulating glass thickness: 15/16" (23).
- Triple-pane insulating glass thickness: 1 1/4" (32).
- Insulating Glass Coatings: Low E2, Low E3, Low E1*, Low ELR*
- Gas Fill: Argon, Argon-Krypton, Air*
- Non-Certified Options*
 - Other Glass Types: Gray or Bronze Tint, Obscure, Frost
 - Low ELR units to 5.7mm sizes and below
 - Tint limited to 5.7mm pane thickness and 15/16" glass make-up.
 - Frost is limited to 5.7mm and 3.9mm pane thicknesses
 - Obscure (Pattern 62) glass is limited to 4.7mm pane thickness and below
- Glass panes are based on overall unit size and may be 3.1, 3.9, 4.7, 5.7, and 8.0 mm thicknesses.

*NFRC values are not available for these options, they are still WDMA rated to CW-PG65-SP.

Installation:

- Exterior installation only
- Reference installation instructions for more details
- Reference the Verification document for Rough Opening requirements



Declaration for Safety Glazing

All Marvin Skycove units use glazing products that meet safety glazing requirements for the top pane. Both the top exterior tempered pane and bottom laminated pane are SGCC certified and meet tempered safety glazing requirements specified: ANSI Z97.1 2015, 16 CFR 1201 CII, CAN/CGSB 12.1 – 2017. The safety laser logos are permanently etched onto each pane of tempered and laminated glass but may be obscured by framing or covers on this product. This notice will serve as confirmation that these products will meet the requirements, even when the logo is obscured.

Minimum and Maximum Guidelines and Certified Sizes

Minimum and Maximum Sizes

Configuration	Rough Opening								Projection			
	Min Width		Min Height		Max Width		Max Height		Min Depth		Max Depth	
	in	mm	in	mm	in	mm	in	mm	in	mm	in	mm
Skycove	76 1/4	(1937)	67 47/64	(1720)	99 1/4	(2521)	83 47/64	(2127)	25 1/2	(648)	25 1/2	(648)

NOTE: Four Call Number sizes are available, two heights and two widths.
 Custom sizes not available.

Certified Sizes and Ratings

Product	Air Test to PSF	Water Tested to psf	Structural Tested to psf	Certification Rating	Design Pressure	Overall Width		Overall Height	
						in	mm	in	mm
SC P	1.57	9.82	97.5	CW-PG65-SP	DP65	101	(2565)	93 1/2	(2375)

Certification based upon AAMA/WDMA/CSA 101/I.S.2/A440-08

Standard Size Measurements

Standard Size Charts

Configuration		RO				Projection	
Width	Height	Width		Height		Depth	
Call Number	Call Number	in	mm	in	mm	in	mm
78	70	76 1/4	(1937)	67 47/64	(1720)	25 1/2	(648)
78	86	76 1/4	(1937)	83 47/64	(2127)	25 1/2	(648)
101	70	99 1/4	(2521)	67 47/64	(1720)	25 1/2	(648)
101	86	99 1/4	(2521)	83 47/64	(2127)	25 1/2	(648)

Standard Size Width Dimensions

Call Number Widths	Masonry Opening		Rough Opening		Frame Size		Interior Opening	
	in	mm	in	mm	in	mm	in	mm
78	78 1/2	(1994)	76 1/4	(1937)	78	(1981)	69 3/32	(1755)
101	101 1/2	(2578)	99 1/4	(2521)	101	(2565)	92 3/32	(2339)

Standard Size Height Dimensions

Call Number Heights	Masonry Opening		Rough Opening		Frame Size		Interior Opening	
	in	mm	in	mm	in	mm	in	mm
70	70 1/2	(1791)	67 47/64	(1720)	70	(1778)	61 35/64	(1563)
86	86 1/2	(2197)	83 47/64	(2127)	86	(2184)	77 35/64	(1970)

Standard Estimated Size Weights and Crating Dimensions

Call Number	Weight (lbs.)			Crate Measurements (inches)		
	Unit	Crate	Combined	Depth	Width	Height
CN7870	728	319	1047	37 1/2	85	79 1/2
CN7870 Tripane	804	319	1123	37 1/2	85	79 1/2
CN7886	824	342	1166	37 1/2	85	95 1/2
CN10170	920	320	1240	37 1/2	108	79 1/2
CN10186	965	391	1356	37 1/2	108	95 1/2

Standard Size Daylight Opening Dimensions

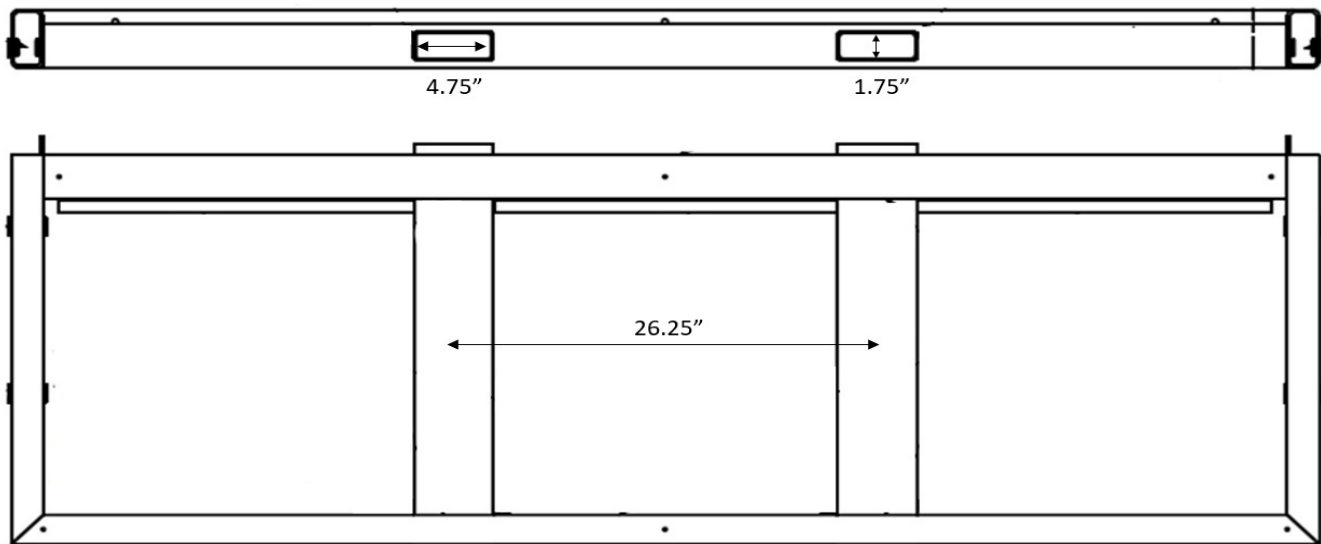
Configuration		DLO													
Width	Height	A1/A3						A2				B2			
		Width		Height (HS)		Height (LS)		Width		Height		Width		Height	
Call Number	Call Number	in	mm	in	mm	in	mm	in	mm	in	mm	in	mm	in	mm
78	70	19 45/64	(502)	59 17/32	(1518)	58 5/32	(1483)	69 3/32	(1762)	17 9/16	(448)	72 17/64	(1843)	58 13/64	(1484)
78	86	19 45/64	(502)	75 17/32	(1926)	74 5/32	(1891)	69 3/32	(1762)	17 9/16	(448)	72 17/64	(1843)	74 13/64	(1892)
101	70	19 45/64	(502)	59 17/32	(1518)	58 5/32	(1483)	92 3/32	(2348)	17 9/16	(448)	95 17/64	(2429)	58 13/64	(1484)
101	86	19 45/64	(502)	75 17/32	(1926)	74 5/32	(1891)	92 3/32	(2348)	17 9/16	(448)	95 17/64	(2429)	74 13/64	(1892)

A1/A3 - flankers, A2 - top glass, B2 - center glass

Measurement Conversions

Unit Measurements		Width		Height	
From	To	in	mm	in	mm
Rough Opening					
Masonry Opening	Rough Opening	-2 1/4	-(57)	-2 3/4	-(70)
Interior Opening (w/ seat board)	Rough Opening	+ 7 5/32	+ (182)	+ 6 13/64	+ (158)
Frame Size	Rough Opening	-1 3/4	-(44)	-2 1/4	-(57)

Fork Pocket Dimensions



For ease of installation, all Skycove units come with the fork pocket dimensions shown above, regardless of call number size. These pockets can be used for equipment to safely lift the unit into the opening so it can be secured to the wall before the equipment backs away.

Seat board and Cushion Measurements

Seatboard Dimensions

Width Call Number	Projection Depth		Seatboard Depth		Seatboard Width		Seatboard Thickness	
	in	mm	in	mm	in	mm	in	mm
78	25 1/2	(648)	21.500 + RO Depth	(546) + RO Depth	69.53	(1766)	1/2	(13)
101	25 1/2	(648)	21.500 + RO Depth	(546) + RO Depth	92.53	(2350)	1/2	(13)

NOTE: RO Depth: Exterior Water Barrier to Interior Finished Wall. See detail on following page.

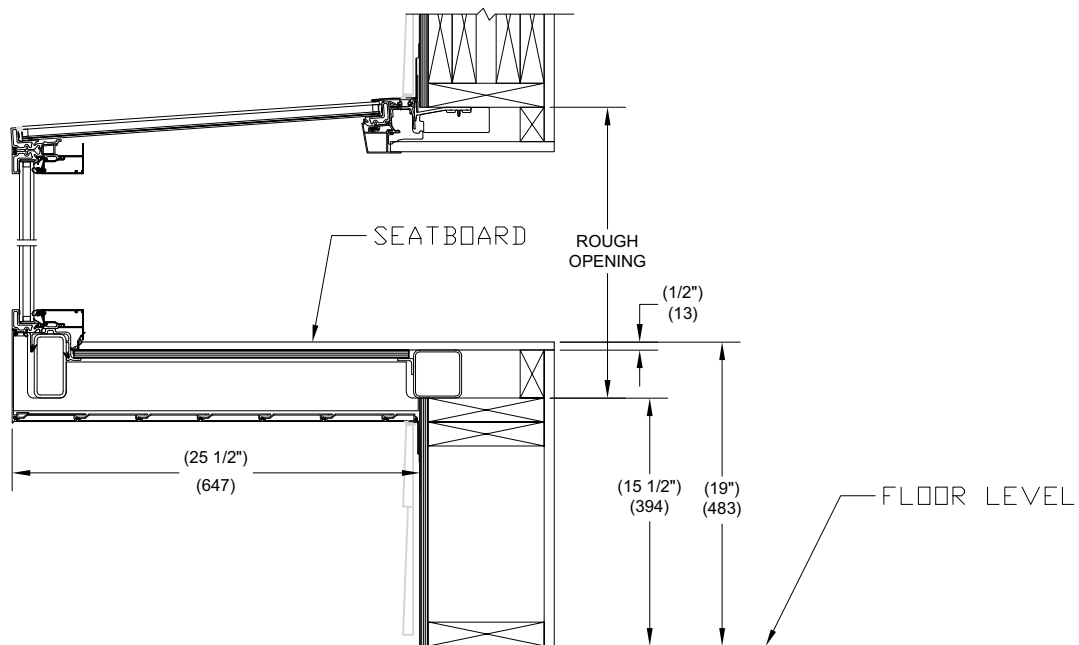
If it is desired for seatboard or cushion to extend beyond the interior finished wall, add that dimension to the RO depth when ordering.

Cushion Dimensions

Width Call Number	Cushion Depth		Cushion Width		Min Cushion Thickness*	
	in	mm	in	mm	in	mm
78	20.800 + RO Depth	(528) + RO Depth	69	(1753)	2	(51)
101	20.800 + RO Depth	(528) + RO Depth	92	(2337)	2	(51)

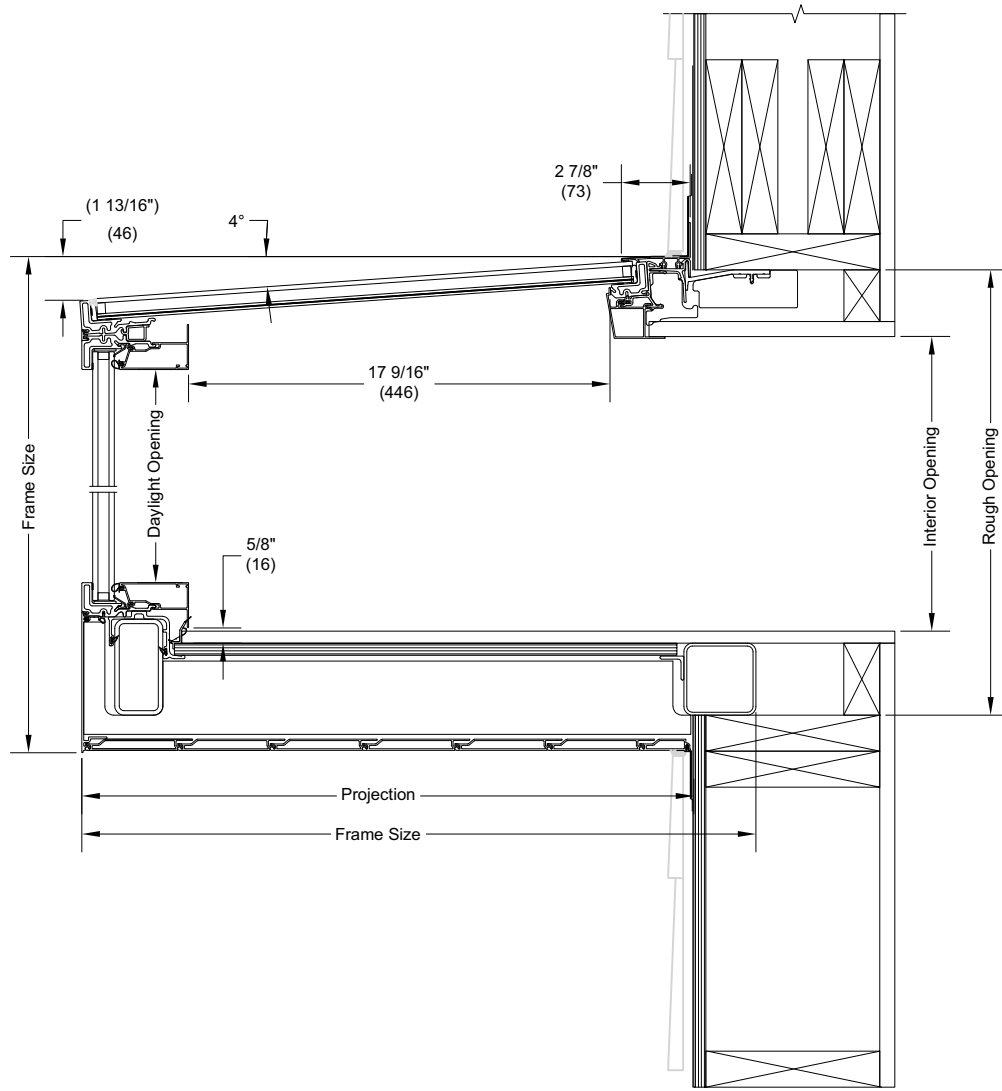
*Minimum cushion thickness to be flush with interior covers.

NOTE: Marvin does not provide cushions, supplied by others. The above chart is for reference.



Section Details: Section View

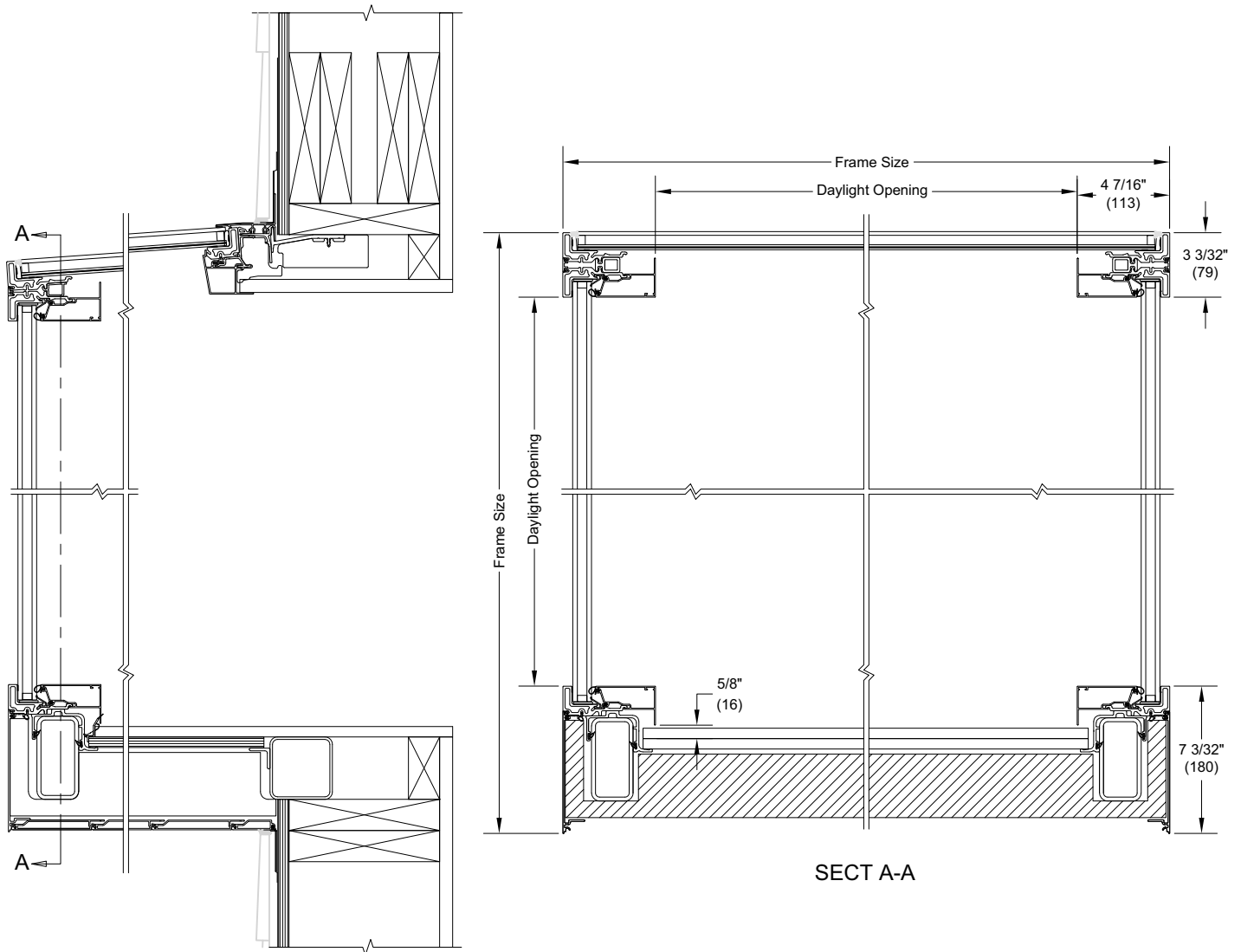
Scale: 3' = 1' 0"



*NOTE: Reference the Verification Document for specific Rough Opening reinforcement
 Typical wood frame construction shown. Refer to verification document for structural requirements.
 Measurement between bottom of cover to unit base.*

Section Details: Front Elevation View

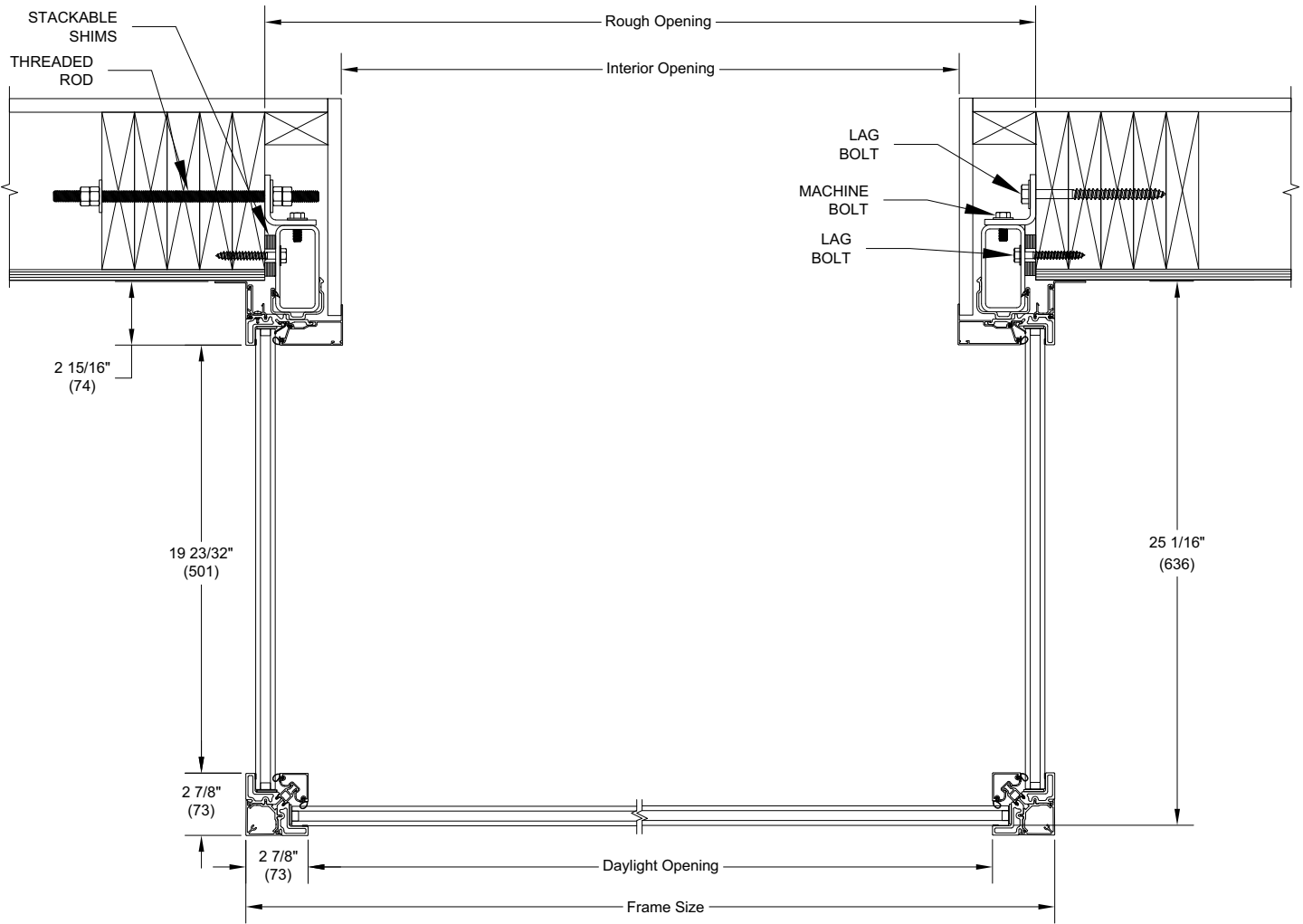
Scale: 3' = 1' 0"



NOTE: Dimensions at glass. Due to projection and angle of side panels, the dimensions at the wall would be Frame Size + X. Typical wood frame construction shown. Refer to verification document for structural requirements.

Section Details: Plan View

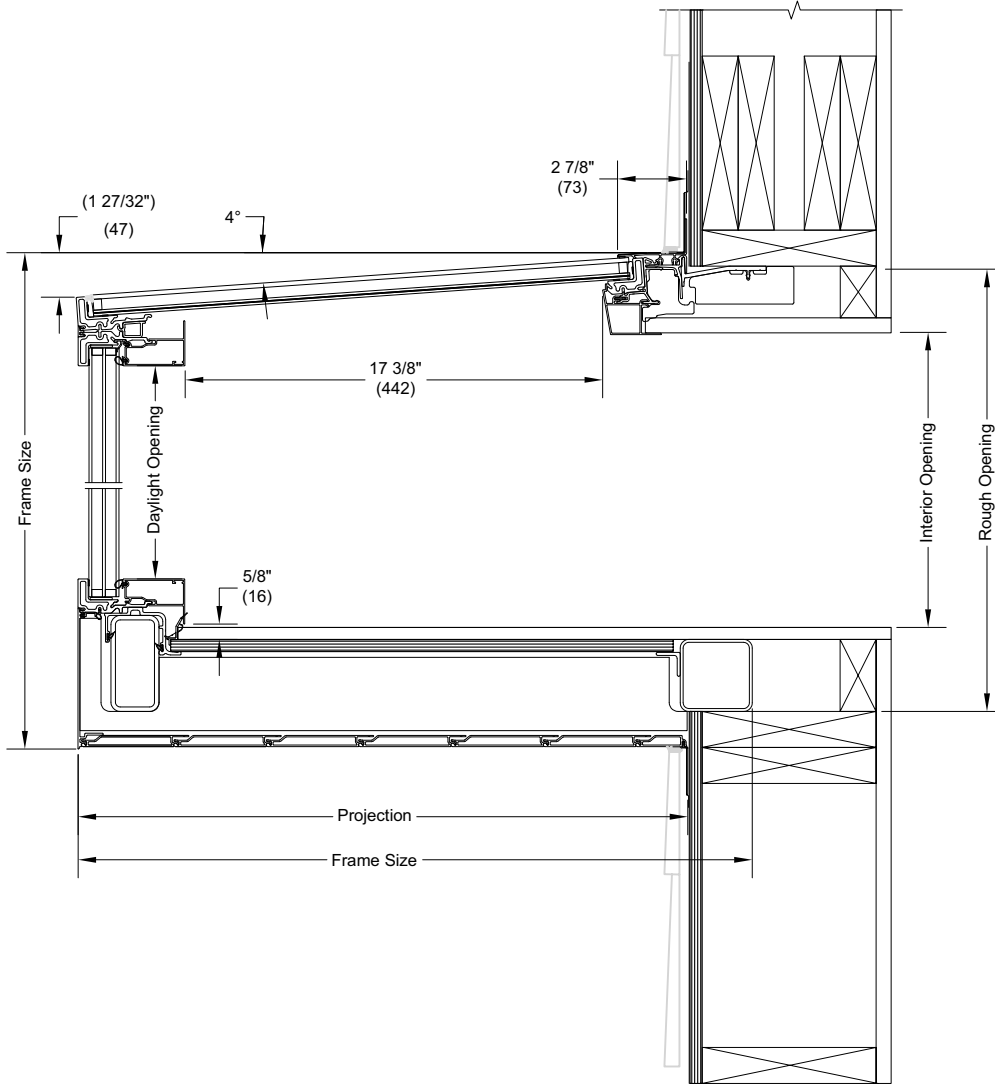
Scale: 3' = 1' 0"



NOTE: Typical wood frame construction shown. Refer to verification document for structural requirements.

Section Details: Section View (Triple-Pane)

Scale: 3' = 1' 0"

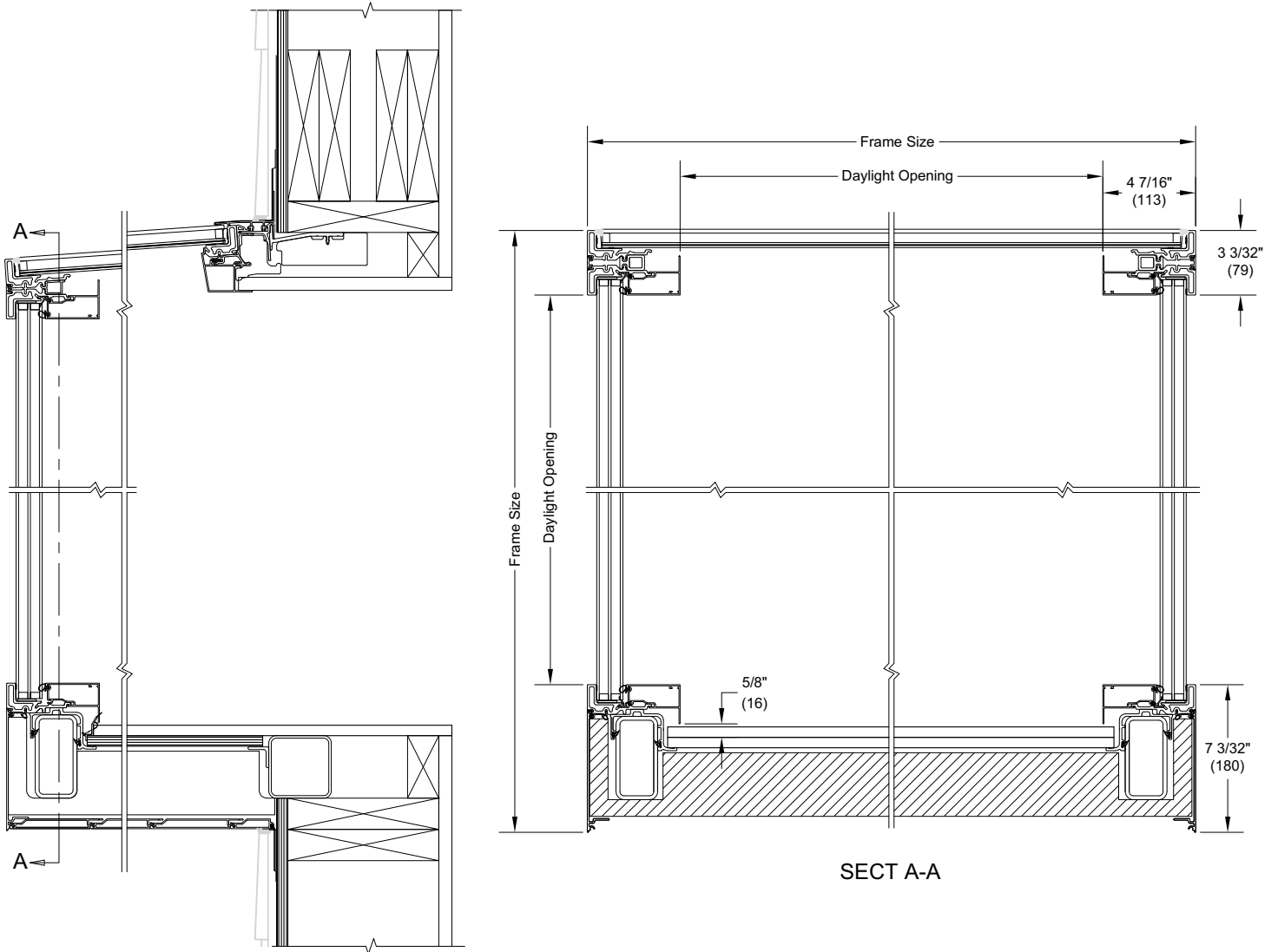


NOTE: Tripane glass only available on CN7870 units.

Typical wood frame construction shown. Refer to verification document for structural requirements.

Section Details: Front Elevation View (Triple-Pane)

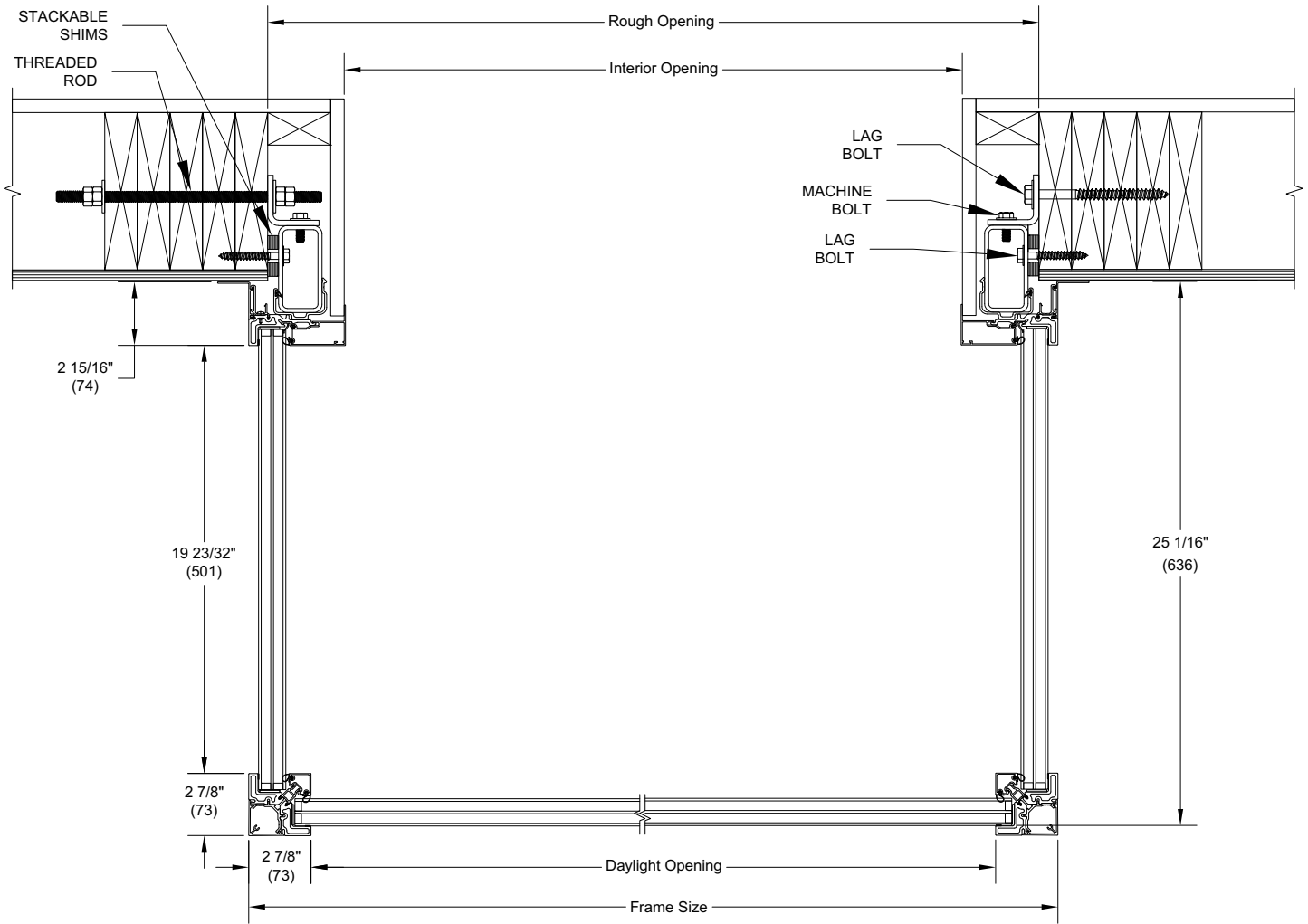
Scale: 3' = 1' 0"



*NOTE: Dimensions at glass. Due to projection and angle of side panels, the dimensions at the wall would be Frame Size + X
 Tripane Glass only available on CN7870 units.
 Typical wood frame construction shown. Refer to verification document for structural requirements.*

Section Details: Plan View (Triple-Pane)

Scale: 3' = 1' 0"



NOTE: Tripane glass only available on CN7870 units.

Typical wood frame construction shown. Refer to verification document for structural requirements.